

MODELS

The Com-Pak Plus

C202, C152, C122, C102,
C072, C151, C101, C051,
C208

The Com-Pak Twin Plus

CT402, CT302, CT408

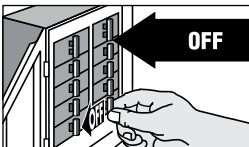
Note:

Now is the perfect opportunity to clean your heater. See original product Owner's Guide or go to cadetheat.com/support/install-help#install and find our detailed cleaning instruction video.

TOOLS REQUIRED

- Small Flathead Screwdriver
- Phillips Screwdriver
- Wire Cutter
- Wire Stripper
- Wire Cutter
- Crimping Tool
- Cable or Wire Ties
- Needle Nose Pliers

IMPORTANT INSTRUCTIONS



⚠ WARNING

Turn the electrical power off at the electrical panel board (circuit breaker or fuse box) and lock or tag the panel board door to prevent someone from turning on power while you are working on the heater. Failure to do so could result in serious electrical shock, burns, or possible death.

IF YOU ARE UNCOMFORTABLE WORKING WITH ELECTRICAL APPLIANCES, UNABLE TO FOLLOW THESE GUIDELINES, OR DO NOT HAVE THE NECESSARY EQUIPMENT, CONSULT A LICENSED ELECTRICIAN

1. It is important that you verify power has been turned off and no power is going to the heater before proceeding. Circuit breakers are often not marked correctly and turning the wrong breaker off could mean electricity is flowing to the heater, even if the heater does not appear to be working.
2. Once you verify the power has been turned off correctly, proceed to the next step.
3. Please see your product Owner's Guide for additional installation, operation, and maintenance instructions for both motor and heater. Owner's Guides may be downloaded at cadetheat.com

SAVE THESE INSTRUCTIONS

INSTALLATION INSTRUCTIONS

1. Remove knob (if applicable) and screws to remove grill.
2. Remove grill.
3. Remove heatbox from wall can by loosening screw at top.
4. Unwiring
 - A. Remove insulated wire connectors that connect heatbox to wall can.
 - B. Cut as many wire ties on back of heater as necessary for easier accessibility.
 - C. Cut reset wires coming out of lower 5/16" pass through hole on back of heatbox. (See Figure 1)
5. Turn heater upward, remove screw at the bottom of face cover, just above thermostat location.
6. Lift face from bottom and slide over tab on top of box. Set motor and element assembly aside.
7. Turn face cover so reset limit and wires are facing you. Carefully unclamp contact point tabs using a flathead screwdriver (See Figure 2).
8. Twist tabs that reset approximately 90 degrees. This will allow the reset to easily slip out of place (See Figure 3).
9. Bend both tabs to original position. Snap new reset in place.
10. Place copper wire in contact point tabs as shown in Figure 2. Clamp wire in place with pliers, being careful not to damage, kink or cut copper wire. Be sure capillary tube (limit tubing) lays flat against cover. (See Figure 2)
11. Feed wires back through 5/16" hole of motor and element assembly, making sure to take out all slack. (See Figure 1)
12. Replace face cover over tab on top. Be sure to hold wires and snap in place.

13. Tighten securing screw on bottom of face by thermostat or hole location.
14. Wiring
 - A. Connect new Reset wires to lead wires previously cut, using wire connectors.
 - B. Fasten wiring with wire ties so all wires fit neatly to the side of the motor and are out of the way. Cut off wire tie ends.
 - C. Reconnect supply lead wires to heater securely, using wire connectors. Double check connections for tightness.
15. Reinstall heater into wall can tabs first, then attach screw.
16. Attach grill.
17. Turn power on and test heater.

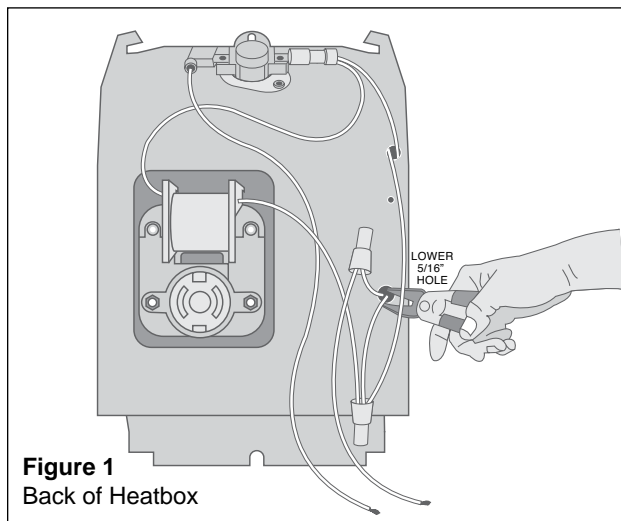


Figure 1
Back of Heatbox

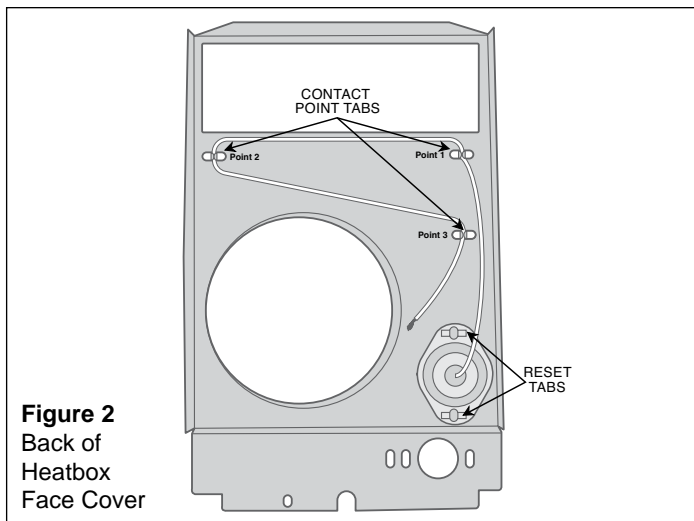


Figure 2
Back of Heatbox Face Cover

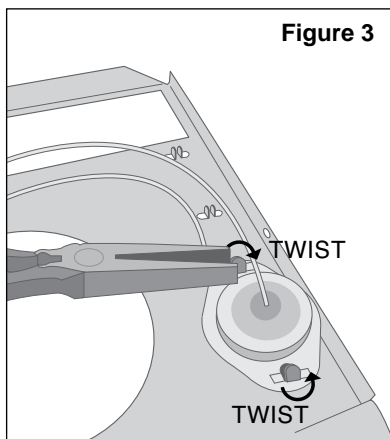


Figure 3

WARRANTY

For more effective and safer operation and to prolong the life of the heater, read the Owner's Guide and follow the instructions. Failure to properly maintain the heater will void any warranty and may cause the heater to function improperly.

LIMITED 90-DAY WARRANTY: Cadet will repair or replace any part found to be defective within 90 days after the date of purchase.

These warranties do not apply:

1. Damage occurs to the product through improper installation or incorrect supply voltage;
2. Damage occurs to the product through improper maintenance, misuse, abuse, accident, or alteration;
3. The use of unauthorized accessories or unauthorized components constitutes an alteration and voids all warranties. Refer to Cadet website or call customer service at 855.CADET.US for list of authorized accessories and components.
4. CADET'S WARRANTY IS LIMITED TO REPAIR OR REPLACEMENT.
5. IN THE EVENT CADET ELECTS TO REPLACE ANY PART OF YOUR CADET PRODUCT, THE REPLACEMENT PARTS ARE SUBJECT TO THE SAME WARRANTIES AS THE PRODUCT. THE INSTALLATION OF REPLACEMENT PARTS DOES NOT MODIFY OR EXTEND THE UNDERLYING WARRANTIES. REPLACEMENT OR REPAIR OF ANY CADET PRODUCT OR PART DOES NOT CREATE ANY NEW WARRANTIES.

If you believe your Cadet product is defective, please contact Cadet during the warranty period, for instructions on how to have the repair or replacement processed.

Parts and Service

Visit cadetheat.com/parts-service for information on where to obtain parts and service.

Reduce-Reuse-Recycle



This product is made primarily of recyclable materials. You can reduce your carbon footprint by recycling this product at the end of its useful life. Contact your local recycling support center for further recycling instructions.